

# Rooftop Support Blocks — ZRSB Extension Series

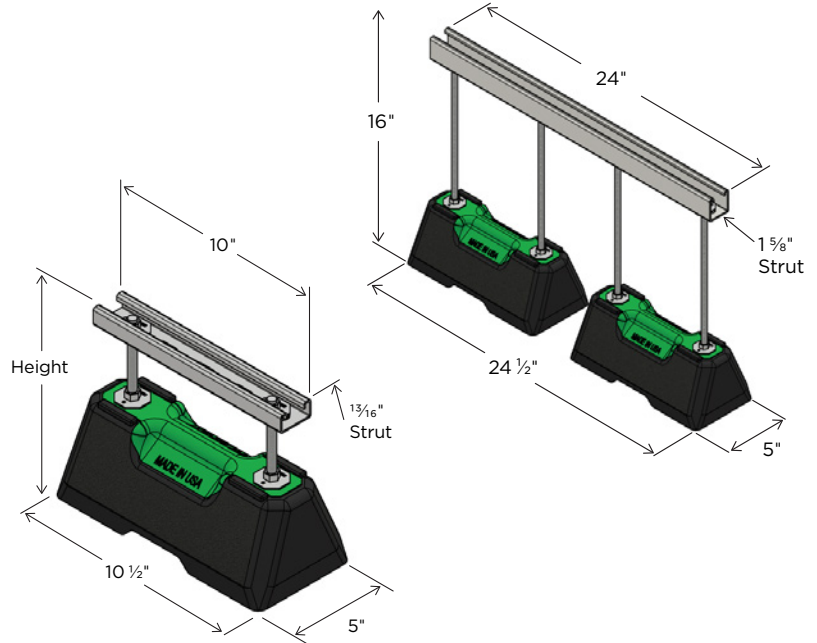
## Support With Raised Metal Channel

Standard finish is Pre-Galvanized Zinc (PG).

ZRSB Extension Rooftop Supports are perfect for standard weight elevated runs of natural gas and refrigeration piping systems, cable tray, electrical conduit, multiple lines, HVAC equipment and many other applications.

Custom lengths and finishes are available upon request.

Standard strut straps are used to secure pipes and tubing.



ZRSB-EX EXTENSION SERIES SUPPORT WITH 3/8" THREADED ROD EXTENSION AND PRE-GALV. OR HOT-DIP GALV. STEEL CHANNEL

CATALOG NUMBER	NO. OF BASES	HEIGHT	STRUT SIZE	WEIGHT	UNIFORM LOAD CAPACITY*	
		in.	in.	lbs.	lbs.	kN
ZRSBEX81081PG	1	8	13/16	5.3	1,000	4.4
ZRSBEX121081PG		12	13/16	5.5	1,000	4.4
ZRSB2EX162416PG	2	16	1 5/8	13.5	2,000	8.8

\*This load is only for the capacity of the components in this assembly. Please consult roofing manufacturer or engineer for roof load capacity.

## Material Specifications and Finishes

Carbon Steel — ASTM A1011-00 SS GR 33 or ASTM A1011-00CS Type B

PG — ASTM A653 G-90 Pre-galvanized zinc is produced by continuously rolling steel coils or sheets through molten zinc at the mills. The coils or sheets are slit to size and fabricated by forming, shearing or punching to produce the finished product. During fabrication cut edges are not generally zinc coated; however, the zinc near the uncoated metal becomes a sacrificial anode to protect the bare areas.

HD — Hot-Dip Galvanized After Fabrication. Fabricated product is dipped in molten zinc and is completely covered on all surfaces. Recommended for outdoor use. Coatings on ZI-Strut HD products meet ASTM A123/153. The zinc coating is typically 2.6 mils (66.0 µm) or 1.5 oz. per square foot (0.46 kg per square meter) per side.

Note: Specifications subject to change without notice.

## SUBMITTAL INFORMATION

PROJECT: \_\_\_\_\_ CONTRACTOR: \_\_\_\_\_ DATE: \_\_\_\_\_

ENGINEER: \_\_\_\_\_ SPECIFICATION REFERENCE: \_\_\_\_\_ SYSTEM TYPE: \_\_\_\_\_

LOCATIONS: \_\_\_\_\_ COMMENTS: \_\_\_\_\_

ZI-052024